

A Kawasaki robot for every application

Kawasaki Robot Lineup Overview



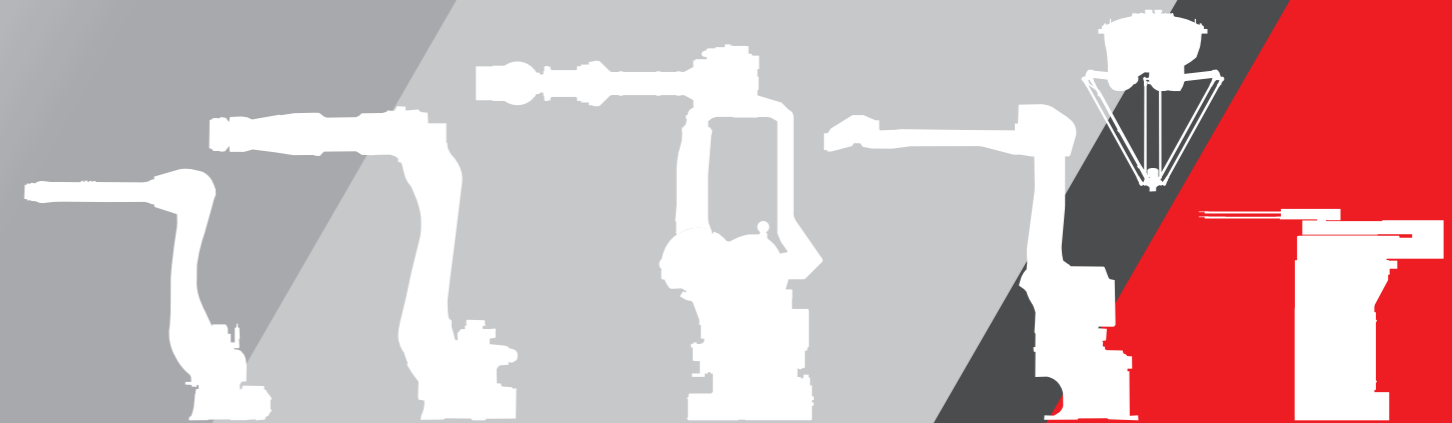
 **Kawasaki**
Robotics

European Headquarter, Sales and Service

Kawasaki Robotics GmbH
www.kawasakirobot.de
Sperberweg 29, 41468 Neuss, Germany
Phone: +49-2131-3426-0 Fax: +49-2131-3426-22

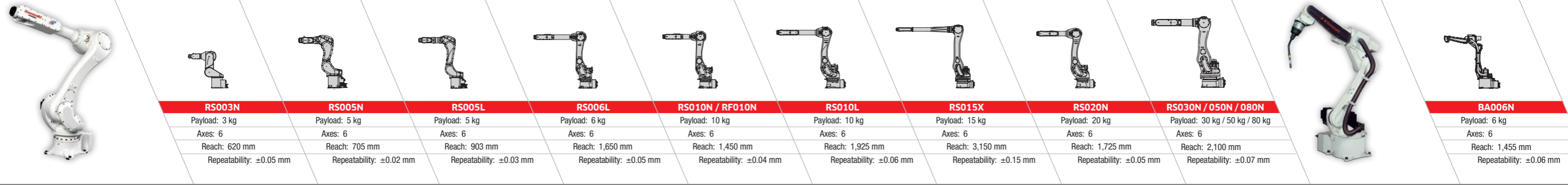
Local Office

TIESSE PRAHA s.r.o.
Za Černým mostem 3/362
198 00 Praha 9
CZECH REPUBLIC
Tel.: +420 281 940 727 Fax: +420 281 940 726
E-mail: ts@tiessepraha.cz <http://www.tiessepraha.cz>



SMALL TO MEDIUM PAYLOAD ROBOTS - up to 80 kg R SERIES

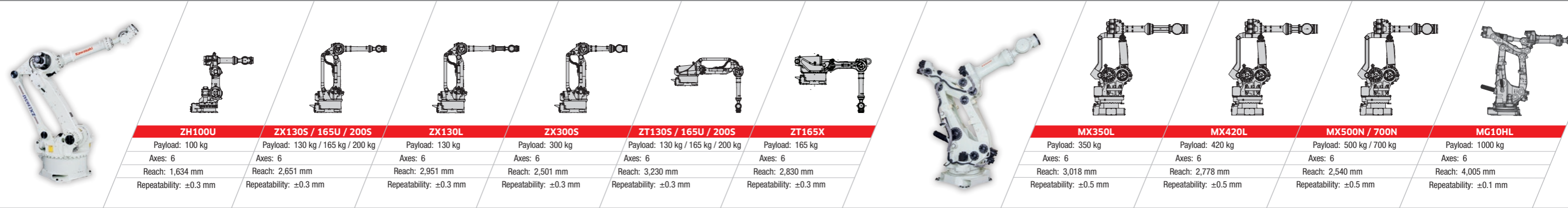
HOLLOW WRIST ARC WELDING ROBOT



RS003N	RS005N	RS005L	RS006L	RS010N / RF010N	RS010L	RS015X	RS020N	RS030N / 050N / 080N	BA006N
Payload: 3 kg	Payload: 5 kg	Payload: 5 kg	Payload: 6 kg	Payload: 10 kg	Payload: 10 kg	Payload: 15 kg	Payload: 20 kg	Payload: 30 kg / 50 kg / 80 kg	Payload: 6 kg
Axes: 6	Axes: 6	Axes: 6	Axes: 6	Axes: 6	Axes: 6	Axes: 6	Axes: 6	Axes: 6	Axes: 6
Reach: 620 mm	Reach: 705 mm	Reach: 903 mm	Reach: 1,650 mm	Reach: 1,450 mm	Reach: 1,925 mm	Reach: 3,150 mm	Reach: 1,725 mm	Reach: 2,100 mm	Reach: 1,455 mm
Repeatability: ±0.05 mm	Repeatability: ±0.02 mm	Repeatability: ±0.03 mm	Repeatability: ±0.05 mm	Repeatability: ±0.04 mm	Repeatability: ±0.06 mm	Repeatability: ±0.15 mm	Repeatability: ±0.05 mm	Repeatability: ±0.07 mm	Repeatability: ±0.06 mm

LARGE PAYLOAD ROBOTS - up to 300 kg Z SERIES

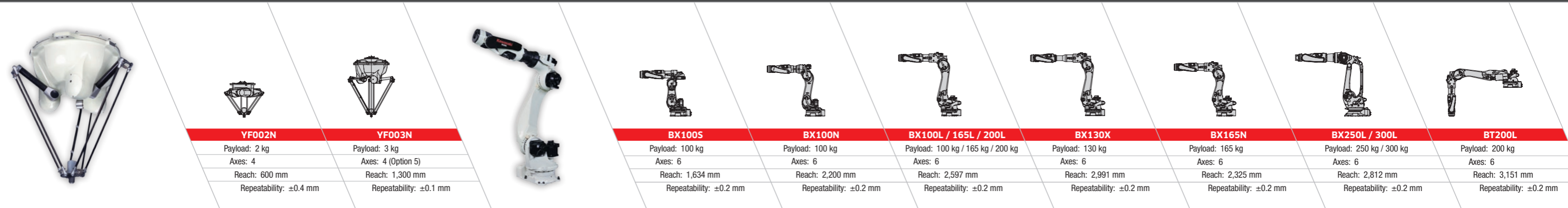
EXTRA LARGE PAYLOAD ROBOTS - up to 1,500 kg M SERIES



ZH100U	ZX130S / 165U / 200S	ZX130L	ZX300S	ZT130S / 165U / 200S	ZT165X	MX350L	MX420L	MX500N / 700N	MG10HL
Payload: 100 kg	Payload: 130 kg / 165 kg / 200 kg	Payload: 130 kg	Payload: 300 kg	Payload: 130 kg / 165 kg / 200 kg	Payload: 165 kg	Payload: 350 kg	Payload: 420 kg	Payload: 500 kg / 700 kg	Payload: 1000 kg
Axes: 6	Axes: 6	Axes: 6	Axes: 6	Axes: 6	Axes: 6	Axes: 6	Axes: 6	Axes: 6	Axes: 6
Reach: 1,634 mm	Reach: 2,651 mm	Reach: 2,951 mm	Reach: 2,501 mm	Reach: 3,230 mm	Reach: 2,830 mm	Reach: 3,018 mm	Reach: 2,778 mm	Reach: 2,540 mm	Reach: 4,005 mm
Repeatability: ±0.3 mm	Repeatability: ±0.3 mm	Repeatability: ±0.3 mm	Repeatability: ±0.3 mm	Repeatability: ±0.3 mm	Repeatability: ±0.3 mm	Repeatability: ±0.5 mm	Repeatability: ±0.5 mm	Repeatability: ±0.5 mm	Repeatability: ±0.1 mm

PICK & PLACE ROBOTS Y SERIES

SPOT WELDING ROBOTS B SERIES



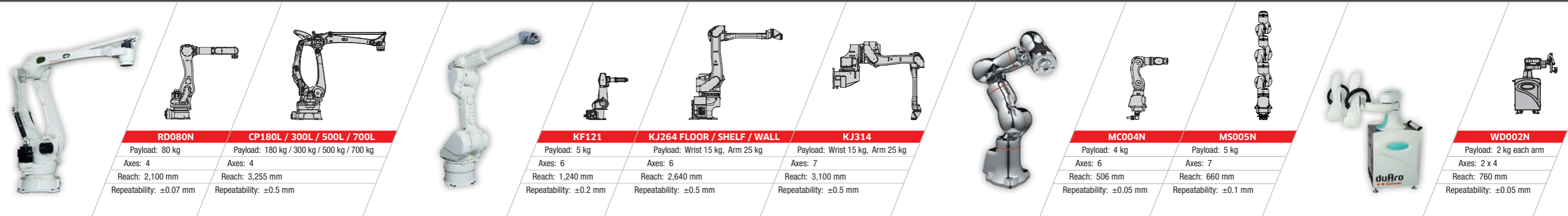
YF002N	YF003N	BX100S	BX100N	BX100L / 165L / 200L	BX130X	BX165N	BX250L / 300L	BT200L
Payload: 2 kg	Payload: 3 kg	Payload: 100 kg	Payload: 100 kg	Payload: 100 kg / 165 kg / 200 kg	Payload: 130 kg	Payload: 165 kg	Payload: 250 kg / 300 kg	Payload: 200 kg
Axes: 4	Axes: 4 (Option 5)	Axes: 6	Axes: 6	Axes: 6	Axes: 6	Axes: 6	Axes: 6	Axes: 6
Reach: 600 mm	Reach: 1,300 mm	Reach: 1,634 mm	Reach: 2,200 mm	Reach: 2,597 mm	Reach: 2,991 mm	Reach: 2,325 mm	Reach: 2,812 mm	Reach: 3,151 mm
Repeatability: ±0.4 mm	Repeatability: ±0.1 mm	Repeatability: ±0.2 mm	Repeatability: ±0.2 mm	Repeatability: ±0.2 mm	Repeatability: ±0.2 mm	Repeatability: ±0.2 mm	Repeatability: ±0.2 mm	Repeatability: ±0.2 mm

PALLETIZING ROBOTS - up to 700 kg

PAINTING ROBOTS - explosion-proof K SERIES

MEDICAL & PHARMACEUTICAL ROBOTS

collaborating DUAL-ARM-SCARA-ROBOT



RD080N	CP180L / 300L / 500L / 700L	KF121	KJ264 FLOOR / SHELF / WALL	KJ314	MC004N	MS005N	WD002N
Payload: 80 kg	Payload: 180 kg / 300 kg / 500 kg / 700 kg	Payload: 5 kg	Payload: Wrist 15 kg, Arm 25 kg	Payload: Wrist 15 kg, Arm 25 kg	Payload: 4 kg	Payload: 5 kg	Payload: 2 kg each arm
Axes: 4	Axes: 4	Axes: 6	Axes: 6	Axes: 7	Axes: 6	Axes: 7	Axes: 2 x 4
Reach: 2,100 mm	Reach: 3,255 mm	Reach: 1,240 mm	Reach: 2,640 mm	Reach: 3,100 mm	Reach: 506 mm	Reach: 660 mm	Reach: 760 mm
Repeatability: ±0.07 mm	Repeatability: ±0.5 mm	Repeatability: ±0.2 mm	Repeatability: ±0.5 mm	Repeatability: ±0.5 mm	Repeatability: ±0.05 mm	Repeatability: ±0.1 mm	Repeatability: ±0.05 mm